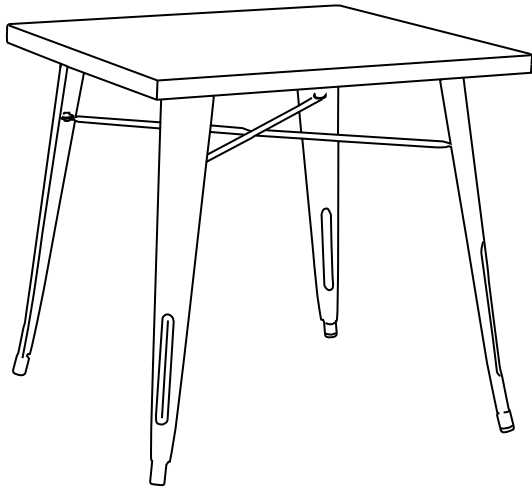







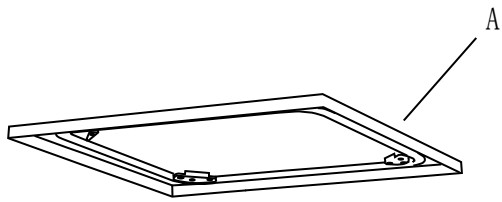
ASSEMBLY INSTRUCTION

TW801



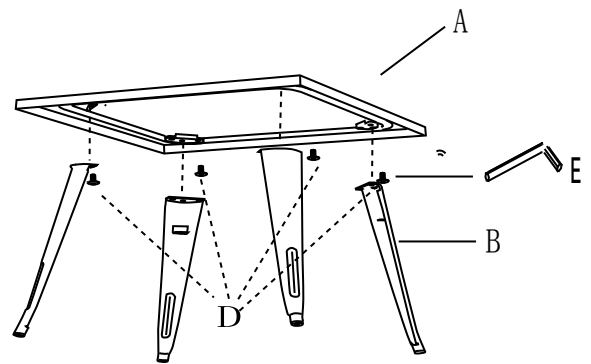
PART LIST	QUANTITY
A 	1
B 	4
C 	1
D 	16
E 	1

STEP 1

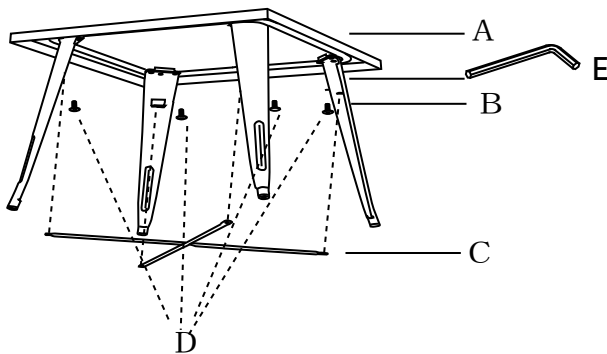


ON A SMOOTH SURFACE

STEP 2



STEP 3



STEP 4

